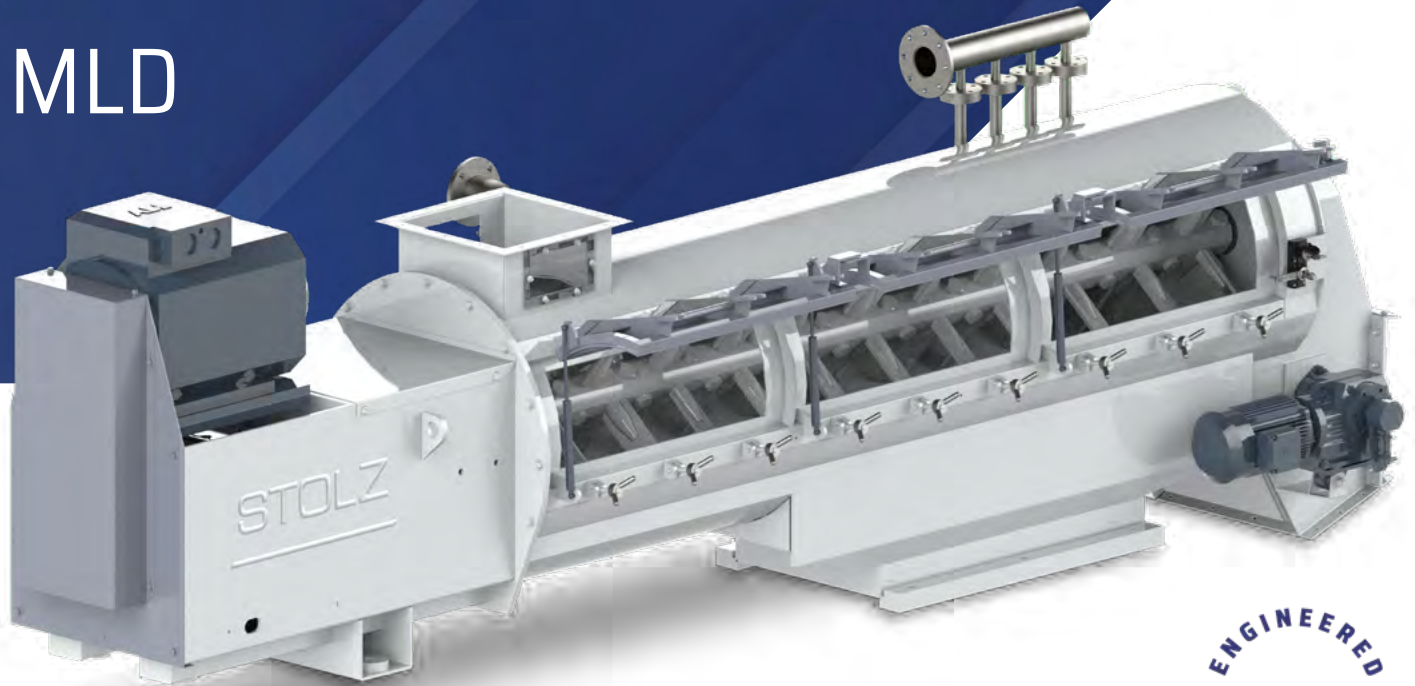


STOLZ

Long life horizontal mixer conditioner

MLD



ENGINEERED
TO YOUR NEEDS

The Long Life Horizontal Mixer Conditioner is designed to increase the residence time of the heated meal and to improve the parameters required to obtain a high quality pelleting results.

The processing temperatures range from 60°C to 100°C for a treatment time of 30 seconds up to 6 minutes.

Such heat treatment is designed to increase the flow rate on the pellet mill and to improve pellets durability. It also kills the pathogenic germs, improves digestibility of products resulting from this process, limits wearing, energy consumption and shrinkage.

The regulated feeding of the pellet mill is achieved via a special valve with adjustable speed.

The screw feeding the mixer is called “feeding” screw.

FEATURES

- Body heating by electrical wire
- Body insulation
- Liquids incorporation
- Temperature sensors
- Stainless steel manufacture

OPERATING PRINCIPLE

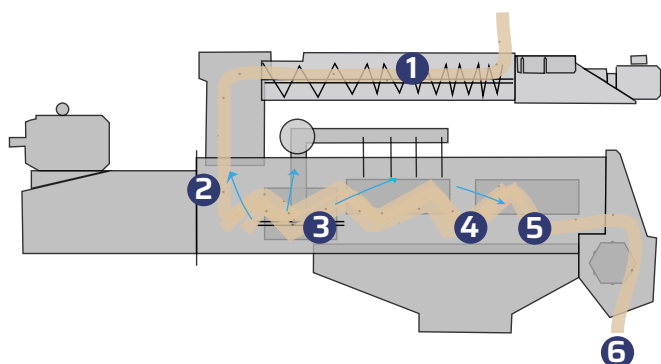
Meal is introduced via a “feeding” screw **1** that provides a safe, steady and controlled feeding.

The product enters the conditioner **2** where the heat treatment is carried out by direct steam injection **3** according to set parameters and depending on the product to be treated.

The product which is introduced by gravity and blended by rotors **4** undergoes by a shearing effect and is stopped at the outlet until the instruction is given from a certain temperature and residence time.

The paddles **5** are adjusted to optimize the homogeneity of the residence time, the mixing of the product and the control of the absorbed torque.

Finally the mixture is channelled to the lock feeding the pellet mill. **6**



Long life horizontal mixer conditioner



Long life horizontal mixer conditioner on pellet mill

DIMENSIONS AND POWER BY TYPE

Type	Length	Width	Height	Diameter	Useful length	Power	Flow rate
	mm	mm	mm	mm	mm	kW	t/H
MLD 550	3150	900	1000	550	2600	22	7
MLF 550 S	4380	1500	1290	550	3000	30	9
MLD 680	3700	1100	1160	680	3250	30	12

STOLZ

82 Route de Boisjean • 62170 • Wailly Beaucamp • France

Tél : +33 (0)3 21 90 05 05 • contact.stolz@desmet.com

www.desmet.com/stolz

/Stolz