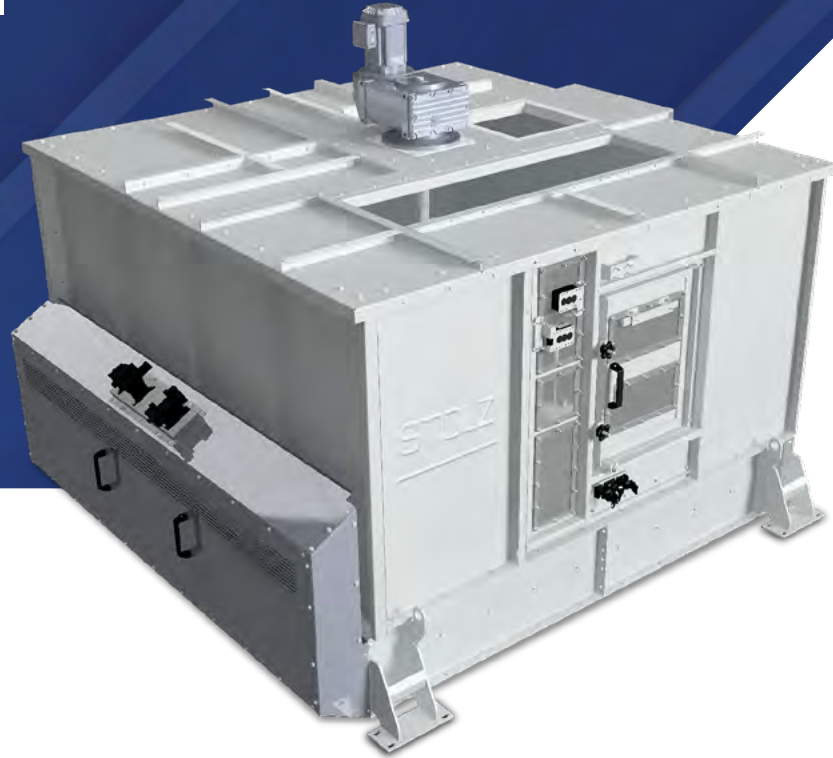


STOLZ

Vertical cooler RCCG



ENGINEERED
TO YOUR NEEDS

The purpose of the cooler is to reduce the temperature and moisture of the incoming products to values close to the ambient temperature at the outlet.

This operation improves the durability and shelf life of products such as pellets.

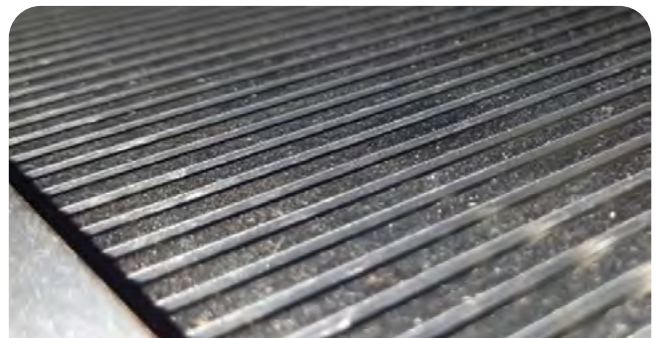
The RCCG is a simple, compact machine. It has been designed for optimum performance, to reduce maintenance costs and limit the presence of residues that can contaminate the product and cause the growth of bacteria and mould.

Focus on energy costs by optimising internal cooling air circulation.

Numerous models and variants are available to suit all types of application, with or without built-in filters.

FEATURES

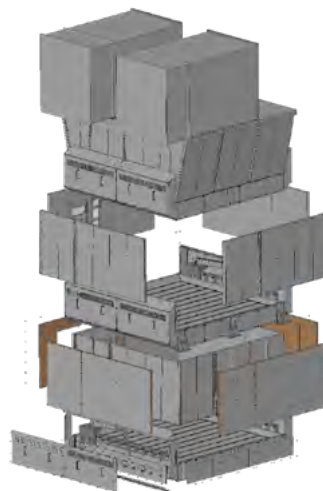
- « Premier Entré Premier Sorti » (FIFO)
- First In First Out» (FIFO)
- Optimised fill rate
- Consistent throughput
- Reliability and simplicity
- Control of residence times and temperatures
- Flat screens to allow airflow of 25% to 50%.



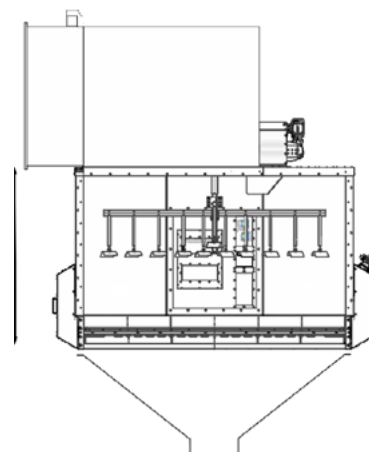
Flat screen 50% flow

OPTIONS

- Possibility of several levels to reduce time lost between two batches
- Thermal insulation
- Wall heating
- Built-in filters
- Drying floor
- Extraction system with rotating flaps
- Inerting by gas injection
- Layer leveller



Isolated 3-stage installation with built-in filters



Principle of operation

DIMENSIONS AND FLOW RATES BY MODEL (WITH AND WITHOUT FILTERS)

			RCCG 14 x 14	RCCG 19 x 19	RCCG 24 x 24	RCCG 29 X 29	RCCG 34 X 34	
	Surface area	m ²	1,96	3,61	5,76	8,41	11,56	
	Theoretical throughput in t/h (SW 0,60) pellets*	Ø 2		7,6	13	20,74	30,29	41,63
		Ø 3,5		5,76	10,60	16,91	24,69	33,94
		Ø 6		4,51	8,30	13,24	19,34	26,58
		Ø 8		3,75	6,90	11,01	16,07	22,10
		Ø 10		3,15	5,80	9,25	13,51	18,57
MODEL WITH FILTERS	Ext length (mm)	mm	1840	2340	2840	4310	5310	
	Ext width (mm)	mm	1510	2010	2510	3600	3510	
	Ext height (mm)	mm	1770	1830	1830	2030	2730	
	Filtering surface (m ²)	m ²	28	60	100	150	200	
MODEL WITHOUT FILTERS	Ext length (mm)	mm	1840	2340	2840	3600	4100	
	Ext width (mm)	mm	1510	2010	2510	3010	3510	
	Ext height (mm)	mm	1780	1780	1780	1780	1780	

* Provided for information purpose only, please contact the Process Design Office

STOLZ

82 Route de Boisjean • 62170 • Wailly Beaucamp • France

Tél : +33 (0)3 21 90 05 05 • contact.stolz@desmet.com

www.desmet.com/stolz

 /Stolz