

STOLZ

2 or 3 Direction boxes



STOLZ 2 or 3 directions boxes are part of our range of equipment for gravity handling dedicated to the design of complete systems for flow direction of granular or powdery products in round or square sections.

A wide range of equipment is available to slow down, re-centre, equalise and limit breakage of the product being transported.

Designed for use with healthy product (free of wastes, stones, wood etc. ...) our 2 or 3 way boxes can be equipped with manual, electric or pneumatic control, and detection (by inductive).

FEATURES

- High resistance of the valve to abrasion
- Tilting around a horizontal axis
- Assembly mounted on bearings and keyed trunions
- All-round sealing
- Polyethylene side scrapers
- Remotely activated valve by pneumatic cylinder
- Electrically operated gearmotor
- Side inspection door

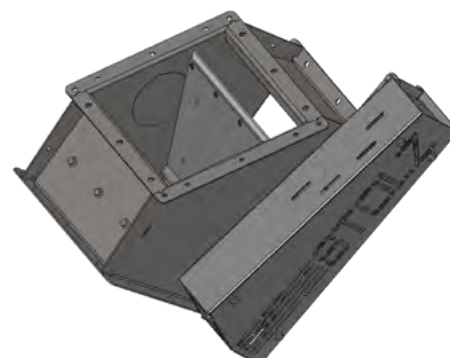
OPERATING PRINCIPLE

A very thick, highly abrasion-resistant sheet metal valve (for 300² sections) swings around a horizontal axis. It is assembled on the box by 2 keyed trunnions mounted on bearings.

The valve is remotely activated by a linear pneumatic cylinder with built in distributor under full housing.

In the case of a manual control, a pendulum allows its change of position. In the case of an electric control, the valve is operated by a gearmotor.

All our boxes are equipped with a side inspection door.



Tipping of valve

CONTROL BY TYPE

	Type	Diagram	Section (mm)	Pneumatic Control	Manual Control
B2D	Flat Base		200 ²	VB Ø50-150	Rocker arm Type 400
			250 ²		
			300 ²		
			350 ²		
	Symmetrical 45°		200 ²	VB Ø50-150	Rocker arm Type 400
			250 ²		
			300 ²		
			350 ²		
	Symmetrical 40°		400 ²	VB Ø63-150	Rocker arm Type 500
			450 ²		
			500 ²		
	Symmetrical 60°		200 ²	VB Ø50-150	Rocker arm Type 400
250 ²					
300 ²					
350 ²					
Symmetrical 45°		200 ²	VB Ø50-150	Rocker arm Type 400	
		250 ²			
		300 ²			
		350 ²			
Asymmetrical 40°		400 ²	VB Ø63-150	Rocker arm Type 500	
		450 ²			
		500 ²			
Asymmetrical 60°		200 ²	VB Ø50-150	Rocker arm Type 400	
		250 ²			
		300 ²			
		350 ²			
B2D under CC	Symmetrical 45°		240 x 600	VB Ø50-150	Rocker arm Type 400
			320 x 800		
			410 x 800		
B2D under CC	Symmetrical 40°		530 x 800	VB Ø63-150	Rocker arm Type 500
B2D	Symmetrical 45°		300 ²	VB Ø50-150	Rocker arm Type 400
			350 ²		
	Symmetrical 40°		400 ²	VB Ø63-150	Rocker arm Type 500
			450 ²		
			500 ²		

STOLZ

82 Route de Boisjean • 62170 • Wailly Beaucamp • France

Tél : +33 (0)3 21 90 05 05 • contact.stolz@desmet.com

www.desmet.com/stolz

/Stolz